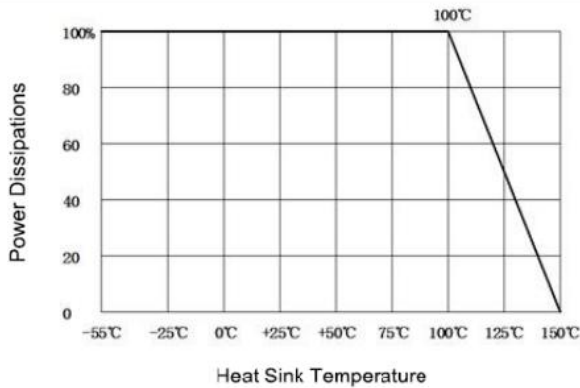


Flange Terminations

Electrical Features

- ◇ **Nominal Impedance:** 50 Ω (Other Ω values available)
- ◇ **Resistive Tolerance:** ±5% standard ; ±3%, ±2%, ±1% available
- ◇ **Substrate Material:** Aluminum Nitride (AlN), Aluminum Oxide (Al₂O₃)
- ◇ **Power Rating:** 10W-800W
- ◇ **Frequency Range:** DC-4GHz
- ◇ **Operating Temperature:** -55°C to +150°C
- ◇ **Temperature Coefficient:** ±150ppm/°C
- ◇ **RoHS Compliant**

Power Derating



HOW TO ORDER

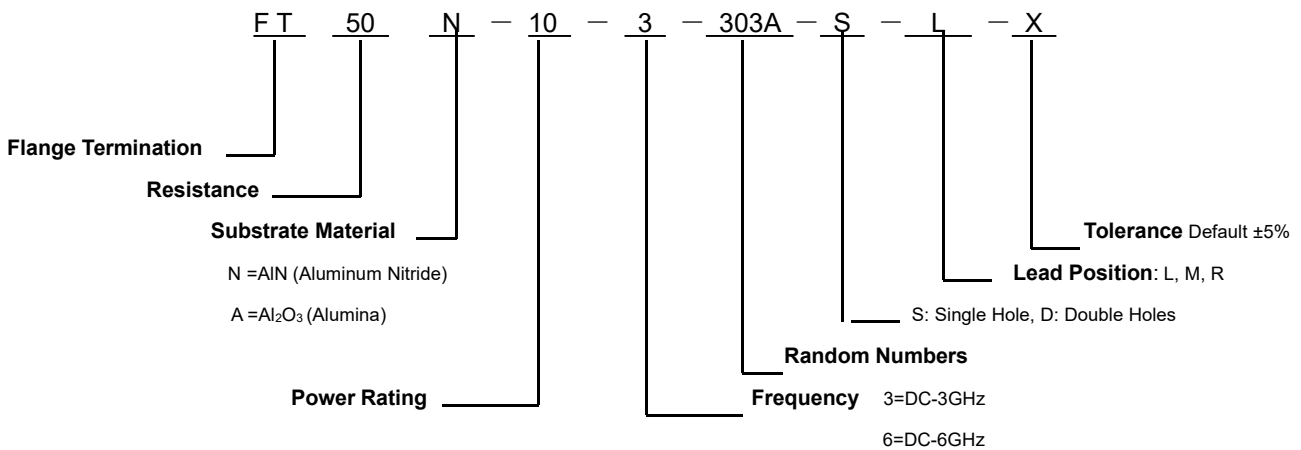


Figure A-1

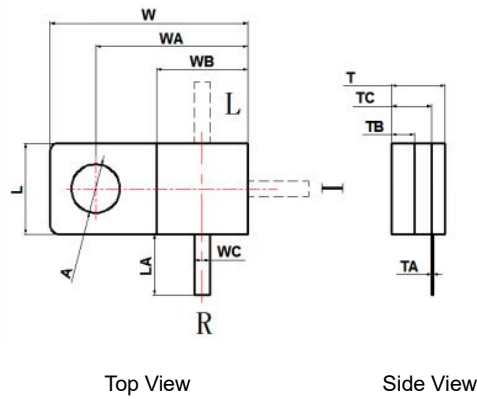


Figure A-2

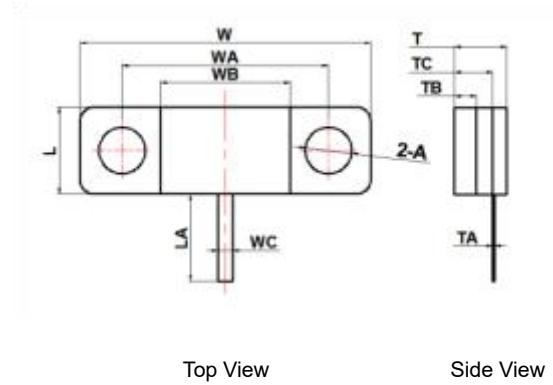


Figure B-1

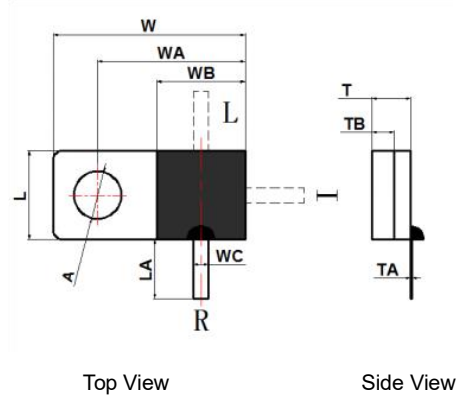
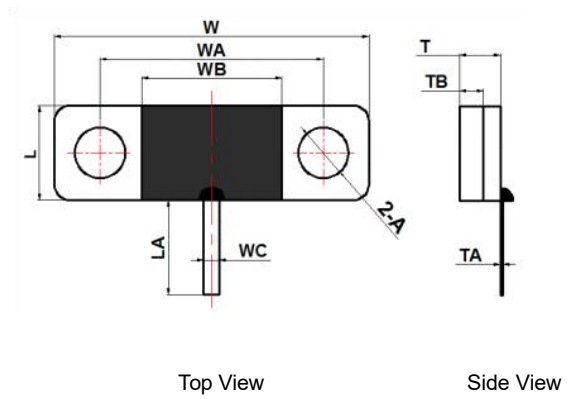
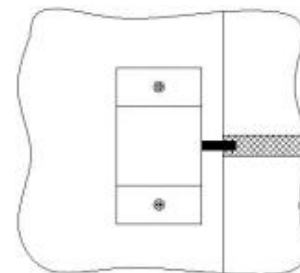
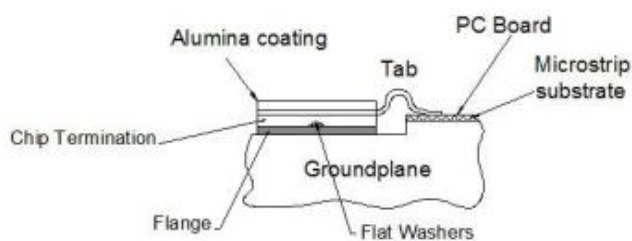


Figure B-2



Installation Instructions

1. When welding devices or leads, it is best to use a temperature-controlled soldering iron and keep the temperature at 260°C.
2. It is best to make an arch bridge shape at the lead (as shown), which can release the ability of thermal deformation to ensure good contact at the lead. Install the lead as little as possible to prevent the lead break.



General Specifications and Dimensions

Part Number	Power Rating (W)	Freq. (GHz)	VSWR (Max.)	Dimensions (mm)											Outline Drawing
				L	W	T	WA	WB	LA	WC	TA	TB	TC	A	
FT50A-10-4-724A-D-M-J	10	DC-4	1.25:1	4.0	13	3.0	2.1	4.0	4.0	1.0	0.15	1.0	2.1	2.0	A-2
FT50N-20-3-308A-S-L-J	20	DC-3	1.20:1	5.0	7.7	3.5	5.1	2.5	4.0	1.0	0.1	1.5	2.6	3.1	A-1
FT50N-20-3-308A-S-R-J	20	DC-3	1.20:1	5.0	7.7	3.5	5.1	2.5	4.0	1.0	0.1	1.5	2.6	3.1	A-1
FT50N-20-4-706A-D-M-J	20	DC-4	1.20:1	4.0	13.0	3.0	9.0	4.0	4.0	1.0	0.1	1.0	2.1	2.0	A-2
FT50N-30-4-318A-S-L-J	30	DC-4	1.25:1	6.35	13.0	2.9	10.0	6.35	6.0	1.0	0.1	1.5	3.5	3.2	A-1
FT50N-30-4-318A-S-M-J	30	DC-4	1.25:1	6.35	13.0	2.9	10.0	6.35	6.0	1.0	0.1	1.5	3.5	3.2	A-1
FT50N-30-4-318A-S-R-J	30	DC-4	1.25:1	6.35	13.0	2.9	10.0	6.35	6.0	1.0	0.1	1.5	3.5	3.2	A-1
FT50N-60-4-318A-S-L-J	60	DC-4	1.25:1	6.35	13.0	2.9	10.0	6.35	6.0	1.0	0.1	1.5	3.5	3.2	A-1
FT50N-60-4-318A-S-M-J	60	DC-4	1.25:1	6.35	13.0	2.9	10.0	6.35	6.0	1.0	0.1	1.5	3.5	3.2	A-1
FT50N-60-4-318A-S-R-J	60	DC-4	1.25:1	6.35	13.0	2.9	10.0	6.35	6.0	1.0	0.1	1.5	3.5	3.2	A-1
FT50N-100-4-318B-S-L-J	100	DC-4	1.25:1	6.35	13.0	2.9	10.0	6.35	6.0	1.0	0.1	1.5	/	3.2	B-1
FT50N-100-4-318B-S-M-J	100	DC-4	1.25:1	6.35	13.0	2.9	10.0	6.35	6.0	1.0	0.1	1.5	/	3.2	B-1
FT50N-100-4-318B-S-R-J	100	DC-4	1.25:1	6.35	13.0	2.9	10.0	6.35	6.0	1.0	0.1	1.5	/	3.2	B-1
FT50N-100-3-503A-D-M-J	100	DC-3	1.20:1	6.0	20.0	3.5	14	8.9	6.0	1.0	0.1	1.5	2.6	3.2	A-2
FT50N-150-3-514A-D-M-J	150	DC-3	1.25:1	5.7	20.0	3.5	14.0	8.9	6.0	1.4	0.1	1.5	2.6	3.2	A-2
FT50N-150-2-343A-D-M-J	150	DC-2.2	1.25:1	6.35	22.1	3.5	14.2	9.5	6.0	1.0	0.1	1.5	2.6	4.1	A-2
FT50N-200-4-342A-D-M-J	200	DC-4	1.20:1	6.5	25.0	3.5	18.5	9.5	3.0	1.0	0.15	1.5	2.6	3.2	A-2
FT50N-250-3-017B-D-M-J	250	DC-3	1.20:1	9.5	24.8	4.9	18.4	9.5	3.5	1.4	0.1	3.0	/	3.5	B-2
FT50N-300-3-601B-D-M-J	300	DC-3	1:20:1	10.0	27.0	4.8	21.0	10.0	6.0	1.4	0.1	2.5	/	3.2	B-2
FT50N-500-3-732A-D-M-J	500	DC-2.5	1.30:1	12.7	32.0	6.5	22.0	12.7	8.0	2.4	0.15	3.2	5.3	4.0	A-2
FT50N-800-1-401A-D-M-J	800	DC-1	1:20:1	26.4	48.3	6.5	40	25.4	8.0	2.4	0.15	3.2	5.0	4.2	A-2

* Customized products are available, please consult with Kete.

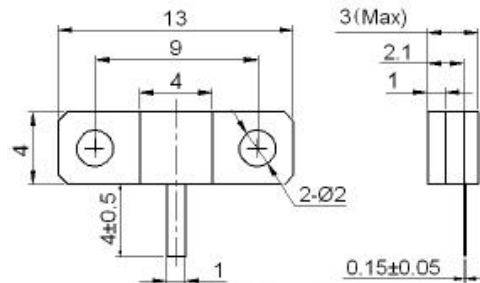
Flange Terminations

Part Number: FT50A-10-4-724A-D-M-J

Electrical Specifications

- ✧ **Nominal Impedance:** 50 Ω
- ✧ **Resistive Tolerance:** ±5% standard
- ✧ **Substrate Material:** Al₂O₃
- ✧ **Power Rating:** 10W
- ✧ **Frequency Range:** DC-4GHz
- ✧ **VSWR (Max.) :** 1.25:1
- ✧ **Operating Temperature:** -55°C to +150°C
- ✧ **Temperature Coefficient:** ±150ppm/°C
- ✧ **Lead Length:** 4mm

Outline Drawing (mm)

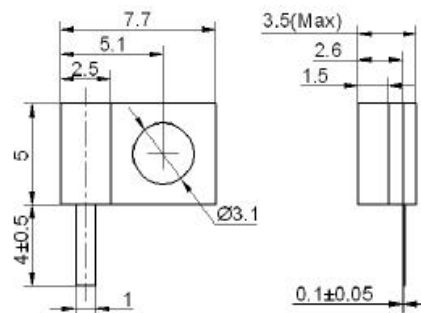


Part Number: FT50N-20-3-308A-S-L-J

Electrical Specifications

- ✧ **Nominal Impedance:** 50 Ω
- ✧ **Resistive Tolerance:** ±5% standard
- ✧ **Substrate Material:** AlN
- ✧ **Power Rating:** 20W
- ✧ **Frequency Range:** DC-3GHz
- ✧ **VSWR (Max.) :** 1.20:1
- ✧ **Operating Temperature:** -55°C to +150°C
- ✧ **Temperature Coefficient:** ±150ppm/°C
- ✧ **Lead Length:** 4mm

Outline Drawing (mm)

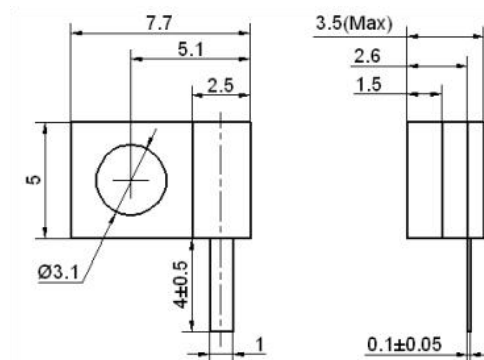


Part Number: FT50N-20-3-308A-S-R-J

Electrical Specifications

- ✧ **Nominal Impedance:** 50 Ω
- ✧ **Resistive Tolerance:** ±5% standard
- ✧ **Substrate Material:** AlN
- ✧ **Power Rating:** 20W
- ✧ **Frequency Range:** DC-3GHz
- ✧ **VSWR (Max.) :** 1.20:1
- ✧ **Operating Temperature:** ±55°C to +150°C
- ✧ **Temperature Coefficient:** ±150ppm/°C
- ✧ **Lead Length:** 4mm

Outline Drawing (mm)



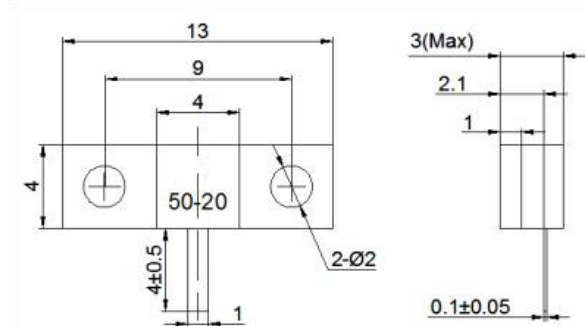
Flange Terminations

Part Number: FT50N-20-4-706A-D-M-J

Electrical Specifications

- ✧ **Nominal Impedance:** 50 Ω
- ✧ **Resistive Tolerance:** $\pm 5\%$ standard
- ✧ **Substrate Material:** AlN
- ✧ **Power Rating:** 20W
- ✧ **Frequency Range:** DC-4GHz
- ✧ **VSWR (Max.) :** 1.25:1
- ✧ **Operating Temperature:** -55°C to +150°C
- ✧ **Temperature Coefficient:** ± 150 ppm/°C
- ✧ **Lead Length:** 4mm

Outline Drawing (mm)



Part Number: FT50N-30-4-318A-S-L-J

Electrical Specifications

- ✧ **Nominal Impedance:** 50 Ω
- ✧ **Resistive Tolerance:** $\pm 5\%$ standard
- ✧ **Substrate Material:** AlN
- ✧ **Power Rating:** 30W
- ✧ **Frequency Range:** DC-4GHz
- ✧ **VSWR (Max.) :** 1.25:1
- ✧ **Operating Temperature:** -55°C to +150°C
- ✧ **Temperature Coefficient:** ± 150 ppm/°C
- ✧ **Lead Length:** 6mm

Outline Drawing (mm)

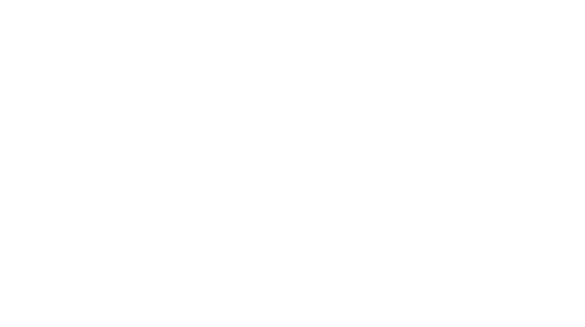


Part Number: FT50N-30-4-318A-S-M-J

Electrical Specifications

- ✧ **Nominal Impedance:** 50 Ω
- ✧ **Resistive Tolerance:** $\pm 5\%$ standard
- ✧ **Substrate Material:** AlN
- ✧ **Power Rating:** 30W
- ✧ **Frequency Range:** DC-4GHz
- ✧ **VSWR (Max.) :** 1.25:1
- ✧ **Operating Temperature:** -55°C to +150°C
- ✧ **Temperature Coefficient:** ± 150 ppm/°C
- ✧ **Lead Length:** 6mm

Outline Drawing (mm)



Flange Terminations

Part Number: FT50N-30-4-318A-S-R-J

Electrical Specifications

- ✧ **Nominal Impedance:** 50 Ω
- ✧ **Resistive Tolerance:** $\pm 5\%$ standard
- ✧ **Substrate Material:** AlN
- ✧ **Power Rating:** 30W
- ✧ **Frequency Range:** DC-4GHz
- ✧ **VSWR (Max.) :** 1.25:1
- ✧ **Operating Temperature:** -55°C to +150°C
- ✧ **Temperature Coefficient:** ± 150 ppm/°C
- ✧ **Lead Length:** 6mm

Outline Drawing (mm)

Part Number: FT50N-60-4-318A-S-L-J

Electrical Specifications

- ✧ **Nominal Impedance:** 50 Ω
- ✧ **Resistive Tolerance:** $\pm 5\%$ standard
- ✧ **Substrate Material:** AlN
- ✧ **Power Rating:** 60W
- ✧ **Frequency Range:** DC-4GHz
- ✧ **VSWR (Max.) :** 1.25:1
- ✧ **Operating Temperature:** -55°C to +150°C
- ✧ **Temperature Coefficient:** ± 150 ppm/°C
- ✧ **Lead Length:** 6mm

Outline Drawing (mm)

Part Number: FT50N-60-4-318A-S-M-J

Electrical Specifications

- ✧ **Nominal Impedance:** 50 Ω
- ✧ **Resistive Tolerance:** $\pm 5\%$ standard
- ✧ **Substrate Material:** AlN
- ✧ **Power Rating:** 60W
- ✧ **Frequency Range:** DC-4GHz
- ✧ **VSWR (Max.) :** 1.25:1
- ✧ **Operating Temperature:** -55°C to +150°C
- ✧ **Temperature Coefficient:** ± 150 ppm/°C
- ✧ **Lead Length:** 6mm

Outline Drawing (mm)

Flange Terminations

Part Number: FT50N-60-4-318A-S-R-J

Electrical Specifications

- ✧ **Nominal Impedance:** 50 Ω
- ✧ **Resistive Tolerance:** $\pm 5\%$ standard
- ✧ **Substrate Material:** AlN
- ✧ **Power Rating:** 60W
- ✧ **Frequency Range:** DC-4GHz
- ✧ **VSWR (Max.) :** 1.25:1
- ✧ **Operating Temperature:** -55°C to +150°C
- ✧ **Temperature Coefficient:** ± 150 ppm/°C
- ✧ **Lead Length:** 6mm

Outline Drawing (mm)

Part Number: FT50N-100-4-318B-S-L-J

Electrical Specifications

- ✧ **Nominal Impedance:** 50 Ω
- ✧ **Resistive Tolerance:** $\pm 5\%$ standard
- ✧ **Substrate Material:** AlN
- ✧ **Power Rating:** 100W
- ✧ **Frequency Range:** DC-4GHz
- ✧ **VSWR (Max.) :** 1.25:1
- ✧ **Operating Temperature:** -55°C to +150°C
- ✧ **Temperature Coefficient:** ± 150 ppm/°C
- ✧ **Lead Length:** 6mm

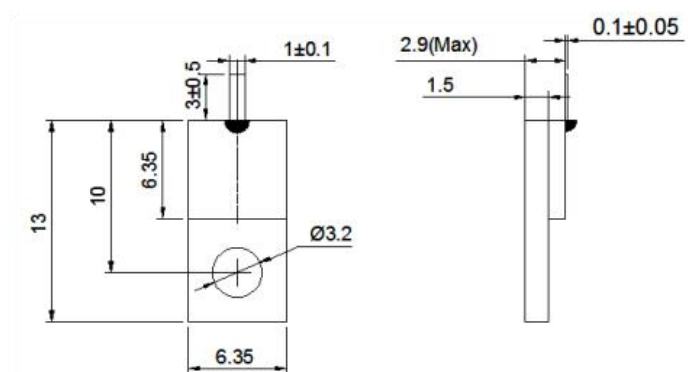
Outline Drawing (mm)

Part Number: FT50N-100-4-318B-S-M-J

Electrical Specifications

- ✧ **Nominal Impedance:** 50 Ω
- ✧ **Resistive Tolerance:** $\pm 5\%$ standard
- ✧ **Substrate Material:** AlN
- ✧ **Power Rating:** 100W
- ✧ **Frequency Range:** DC-4GHz
- ✧ **VSWR (Max.) :** 1.25:1
- ✧ **Operating Temperature:** -55°C to +150°C
- ✧ **Temperature Coefficient:** ± 150 ppm/°C
- ✧ **Lead Length:** 6mm

Outline Drawing (mm)



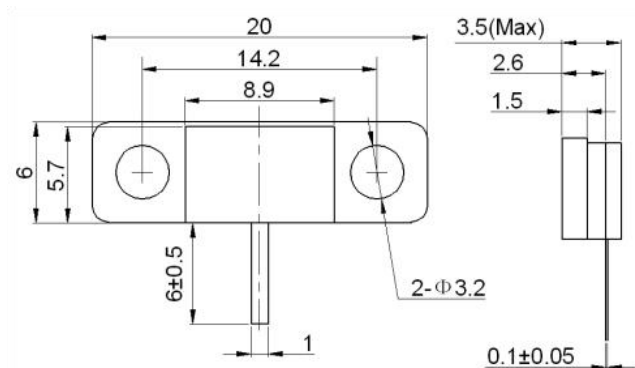
Flange Terminations

Part Number: FT50N-100-4-318B-S-R-J

Electrical Specifications

- ✧ **Nominal Impedance:** 50 Ω
- ✧ **Resistive Tolerance:** $\pm 5\%$ standard
- ✧ **Substrate Material:** AlN
- ✧ **Power Rating:** 100W
- ✧ **Frequency Range:** DC-4GHz
- ✧ **VSWR (Max.) :** 1.25:1
- ✧ **Operating Temperature:** -55°C to +150°C
- ✧ **Temperature Coefficient:** ± 150 ppm/°C
- ✧ **Lead Length:** 6mm

Outline Drawing (mm)

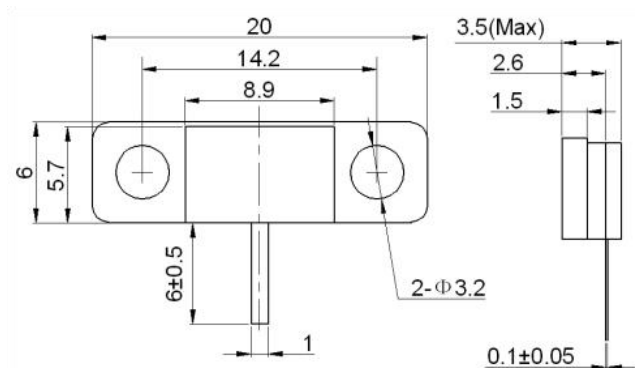


Part Number: FT50N-100-3-503A-D-M-J

Electrical Specifications

- ✧ **Nominal Impedance:** 50 Ω
- ✧ **Resistive Tolerance:** $\pm 5\%$ standard
- ✧ **Substrate Material:** AlN
- ✧ **Power Rating:** 100W
- ✧ **Frequency Range:** DC-3GHz
- ✧ **VSWR (Max.) :** 1.20:1
- ✧ **Operating Temperature:** -55°C to +150°C
- ✧ **Temperature Coefficient:** ± 150 ppm/°C
- ✧ **Lead Length:** 6mm

Outline Drawing (mm)



Part Number: FT50N-150-3-514A-D-M-J

Electrical Specifications

- ✧ **Nominal Impedance:** 50 Ω
- ✧ **Resistive Tolerance:** $\pm 5\%$ standard
- ✧ **Substrate Material:** AlN
- ✧ **Power Rating:** 150W
- ✧ **Frequency:** DC-3GHz
- ✧ **VSWR (Max.) :** 1.25:1
- ✧ **Operating Temperature:** -55°C to +150°C
- ✧ **Temperature Coefficient:** ± 150 ppm/°C
- ✧ **Lead Length:** 6mm

Outline Drawing (mm)

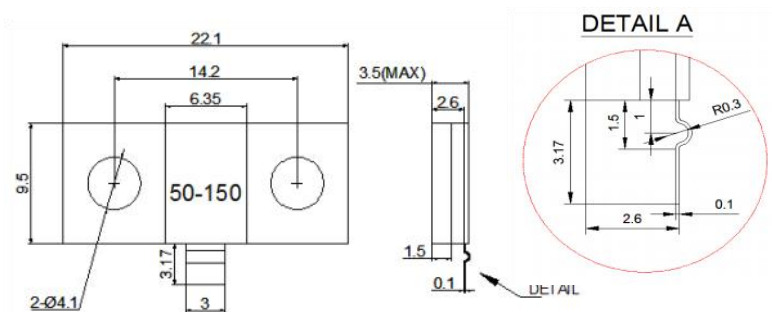
Flange Terminations

Part Number: FT50N-150-3-343A-D-M-J

Electrical Specifications

- ✧ **Nominal Impedance:** 50 Ω
- ✧ **Resistive Tolerance:** ±5% standard
- ✧ **Substrate Material:** AlN
- ✧ **Power Rating:** 150W
- ✧ **Frequency Range:** DC-2.2GHz
- ✧ **VSWR (Max.) :** 1.25:1
- ✧ **Operating Temperature:** -55°C to +150°C
- ✧ **Temperature Coefficient:** ±150ppm/°C
- ✧ **Lead Length:** 6mm

Outline Drawing (mm)

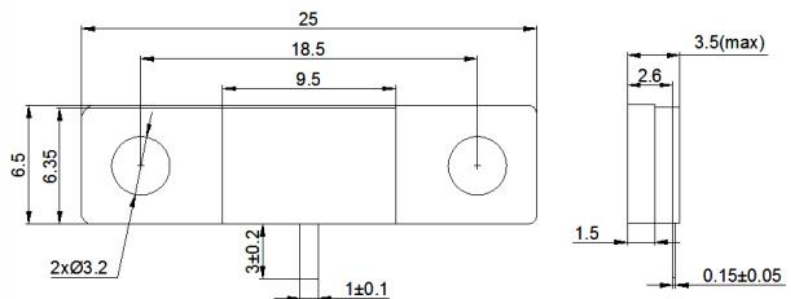


Part Number: FT50N-200-4-342A-D-M-J

Electrical Specifications

- ✧ **Nominal Impedance:** 50 Ω
- ✧ **Resistive Tolerance:** ±5% standard
- ✧ **Substrate Material:** AlN
- ✧ **Power Rating:** 200W
- ✧ **Frequency Range:** DC-4GHz
- ✧ **VSWR (Max.) :** 1.20:1
- ✧ **Operating Temperature:** -55°C to +150°C
- ✧ **Temperature Coefficient:** ±150ppm/°C
- ✧ **Lead Length:** 3mm

Outline Drawing (mm)

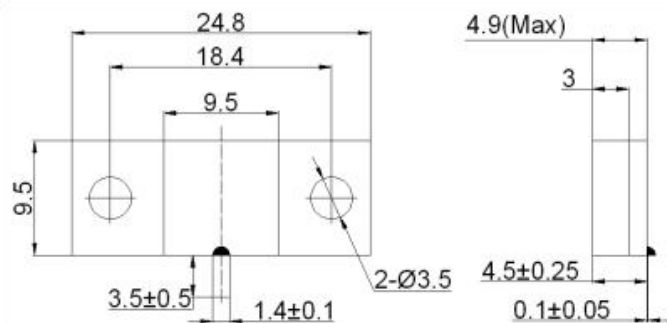


Part Number: FT50N-250-3-017B-D-M-J

Electrical Specifications

- ✧ **Nominal Impedance:** 50 Ω
- ✧ **Resistive Tolerance:** ±5% standard
- ✧ **Substrate Material:** AlN
- ✧ **Power Rating:** 250W
- ✧ **Frequency Range:** DC-3GHz
- ✧ **VSWR (Max.) :** 1.20:1
- ✧ **Operating Temperature:** -55°C to +150°C
- ✧ **Temperature Coefficient:** ±150ppm/°C
- ✧ **Lead Length:** 3.5mm

Outline Drawing (mm)



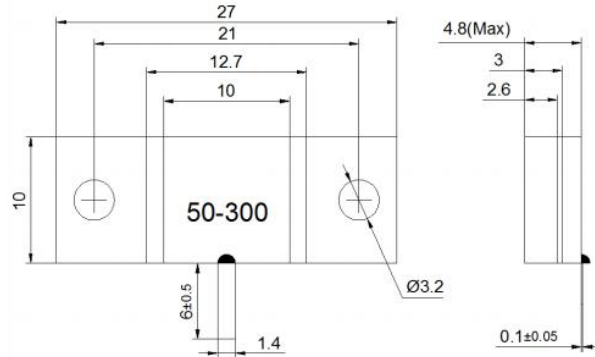
Flange Terminations

Part Number: FT50N-300-3-601B-D-M-J

Electrical Specifications

- ✧ **Nominal Impedance:** 50 Ω
- ✧ **Resistive Tolerance:** $\pm 5\%$ standard
- ✧ **Substrate Material:** AlN
- ✧ **Power Rating:** 300W
- ✧ **Frequency Range:** DC-3GHz
- ✧ **VSWR (Max.) :** 1.20:1
- ✧ **Operating Temperature:** -55°C to +150°C
- ✧ **Temperature Coefficient:** ± 150 ppm/°C
- ✧ **Lead Length:** 6mm

Outline Drawing (mm)

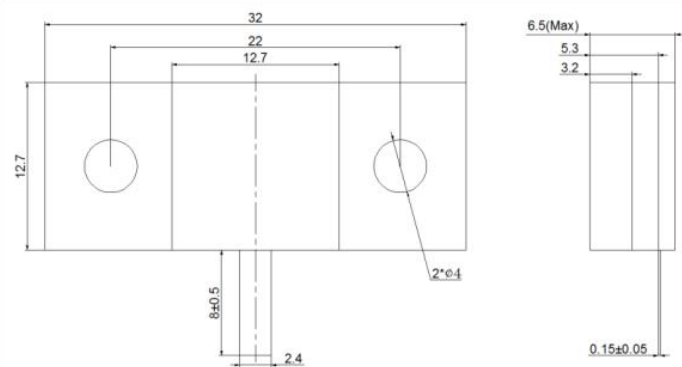


Part Number: FT50N-500-3-732A-D-M-J

Electrical Specifications

- ✧ **Nominal Impedance:** 50 Ω
- ✧ **Resistive Tolerance:** $\pm 5\%$ standard
- ✧ **Substrate Material:** AlN
- ✧ **Power Rating:** 500W
- ✧ **Frequency Range:** DC-2.5GHz
- ✧ **VSWR (Max.) :** 1.30:1
- ✧ **Operating Temperature:** -55°C to +150°C
- ✧ **Temperature Coefficient:** ± 150 ppm/°C
- ✧ **Lead Length:** 8mm

Outline Drawing (mm)



Part Number: FT50N-800-1-732A-D-M-J

Electrical Specifications

- ✧ **Nominal Impedance:** 50 Ω
- ✧ **Resistive Tolerance:** $\pm 5\%$ standard
- ✧ **Substrate Material:** AlN
- ✧ **Power Rating:** 800W
- ✧ **Frequency Range:** DC-1GHz
- ✧ **VSWR (Max.) :** 1.20:1
- ✧ **Operating Temperature:** -55°C to +150°C
- ✧ **Temperature Coefficient:** ± 150 ppm/°C
- ✧ **Lead Length:** 8mm

Outline Drawing (mm)

